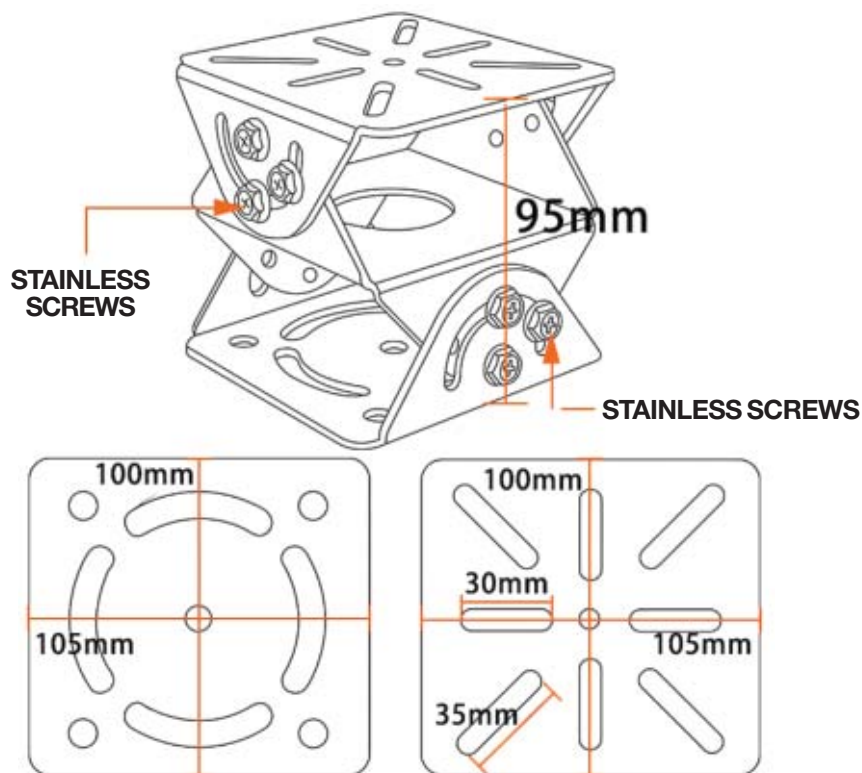


38548-MI

Adjustable Aluminum Universal Mounting Bracket

Heavy Duty, 4mm thick Aluminum Alloy mounting bracket for cameras, lights etc.
Stainless Adjustment Screws.
3 Axis motion (Pitch, Yaw and Roll)
H: 100mm (~3-13/16") **L/W: Base/Top:** 105x100mm (~4-1/8"x 4") **WT:** 1



All Information including Drawings, Schematics etc, Referenced in this Document is supplied by MPJA inc. as a service to our customers. Accuracy or usefulness is not guaranteed nor is it an Endorsement of any particular part, supplier or manufacturer. Use of information and suitability for any application is at users own discretion and user assumes all risk.

Information Subject to Change Without Notice

All rights are retained by the respective Owners/Author(s)



MARLIN P. JONES & ASSOC., INC.

8380 Resource Rd. West Palm Beach, FL 33404

800-652-6733 FAX 561-844-8764

WWW.MPJA.COM